

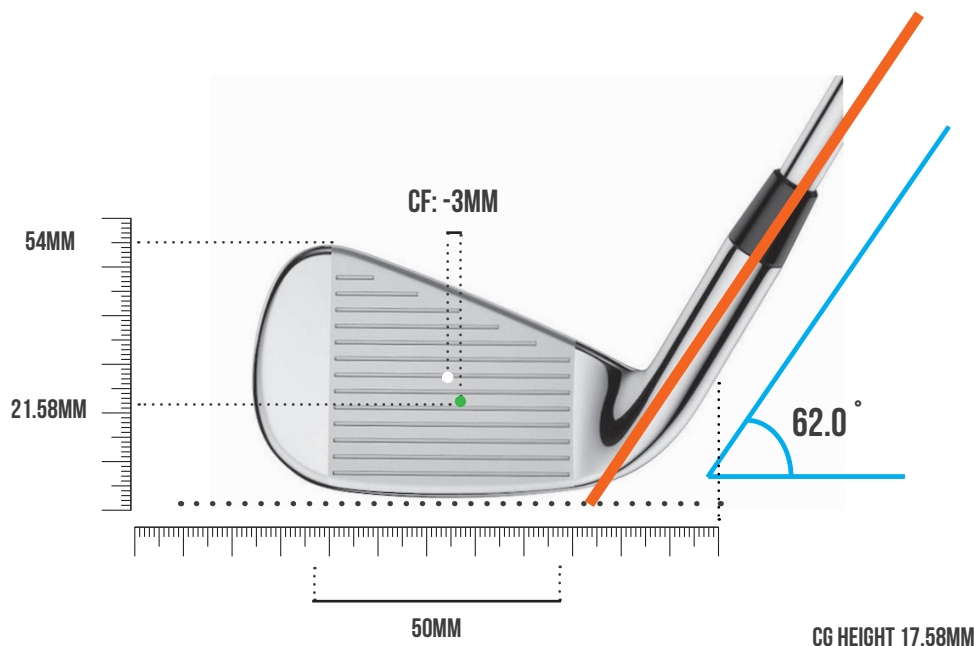
CLUB SPECIFICATION DATABASE



Callaway APEX PRO

CENTRE OF GRAVITY PROJECTION

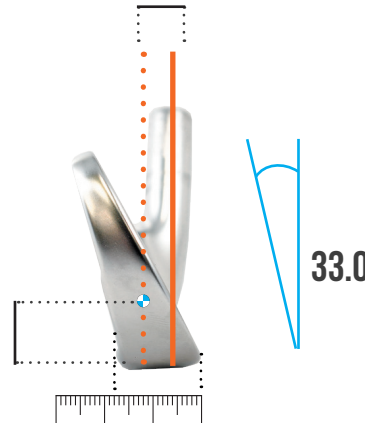
- - CENTRE OF GRAVITY
- - GEOMETRIC CENTRE
- - CENTRE OF GRAVITY



CG DEPTH (Y): 8.00MM



CG DEPTH (Y): 8.00MM



SOLE WIDTH AT CENTRE FACE: 19.50MM

CENTRE OF GRAVITY MEASUREMENTS

HEAD WEIGHT	264.2 G
CG HEIGHT	17.58MM
CG DEPTH	8.00MM

CG FACE PROJECTION MEASUREMENTS

HORIZONTAL CG	-3MM
CENTRE OF GRAVITY FACE PROJECTION	21.58MM

LIE, LOFT, FACE MEASUREMENTS

LIE ANGLE	62.0°
LOFT ANGLE	33.0°
FACE ANGLE	0

MOI - 2384