

# CLUB SPECIFICATION DATABASE

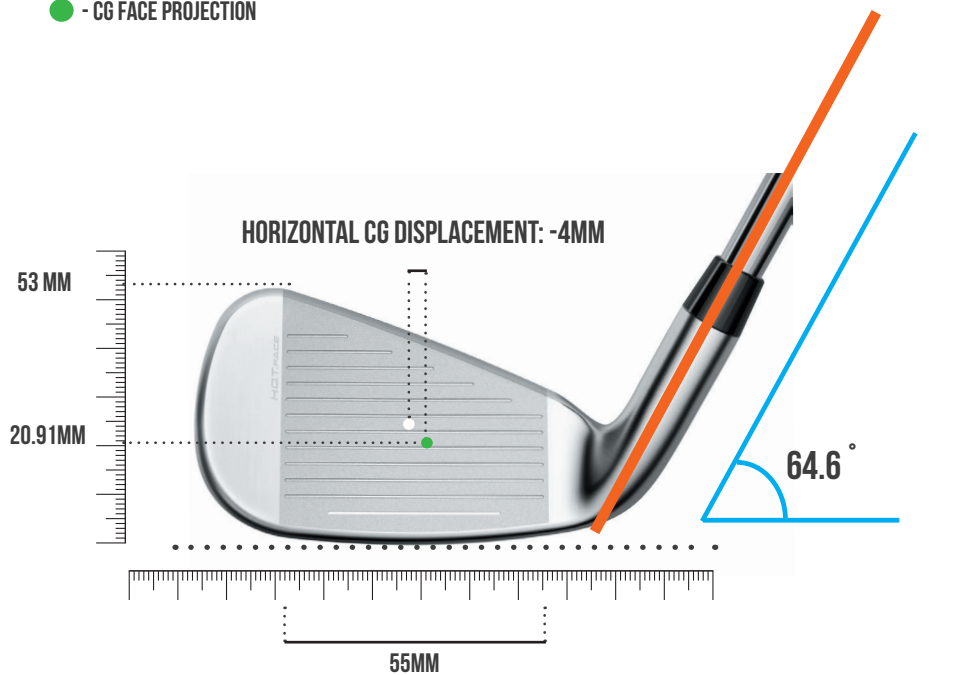


## cobra

### Forged Tec

#### CENTRE OF GRAVITY PROJECTION

- - CENTRE OF GRAVITY
- - GEOMETRIC CENTRE
- - CG FACE PROJECTION

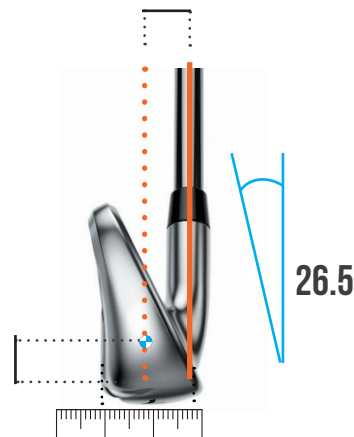


CG HEIGHT 13.43MM

CG DEPTH: 10.00MM



CG DEPTH (V): 10.00MM



SOLE WIDTH AT CENTRE FACE: 19.00MM

#### CENTRE OF GRAVITY MEASUREMENTS

HEAD WEIGHT	265G
CG HEIGHT	13.43MM
CG DEPTH	10.00MM

#### CG FACE PROJECTION MEASUREMENTS

HORIZONTAL CG CENTRE OF GRAVITY FACE PROJECTION	-4MM 20.91MM
---	-----------------

#### LIE, LOFT, FACE MEASUREMENTS

LIE ANGLE	64.6°
LOFT ANGLE	26.5°
FACE ANGLE	0

# MOI - 2193