

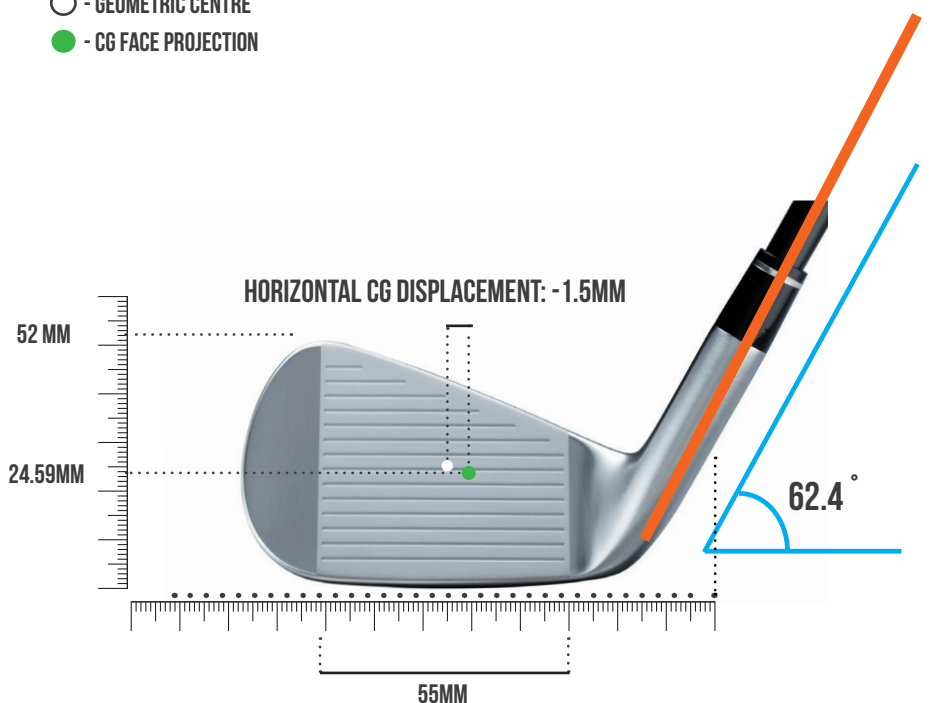
CLUB SPECIFICATION DATABASE



TW757P

CENTRE OF GRAVITY PROJECTION

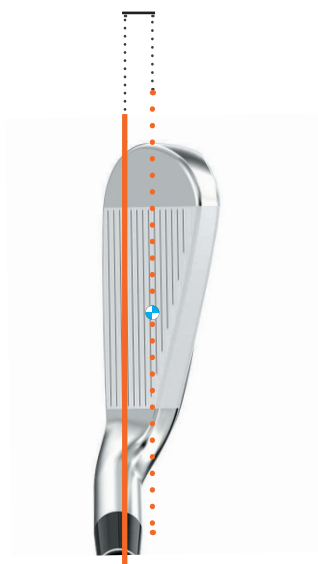
- - CENTRE OF GRAVITY
- - GEOMETRIC CENTRE
- - CG FACE PROJECTION



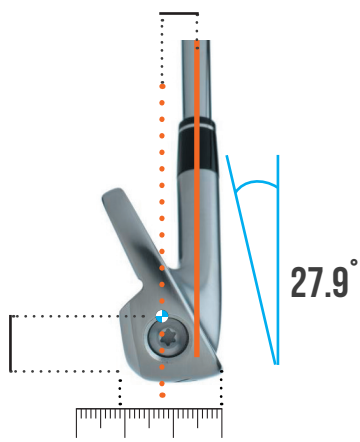
CG HEIGHT 17.92 MM

SOLE WIDTH AT CENTRE FACE: 21.00MM

CG DEPTH: 7.60MM



CG DEPTH (Y): 7.60 MM



CENTRE OF GRAVITY MEASUREMENTS

HEAD WEIGHT	268.6G
CG HEIGHT	17.92MM
CG DEPTH	7.60MM

CG FACE PROJECTION MEASUREMENTS

HORIZONTAL CG CENTRE OF GRAVITY FACE PROJECTION	-3MM
	24.59MM

LIE, LOFT, FACE MEASUREMENTS

LIE ANGLE	62.4°
LOFT ANGLE	27.9°
FACE ANGLE	0

MOI - 2660