

# CLUB SPECIFICATION DATABASE

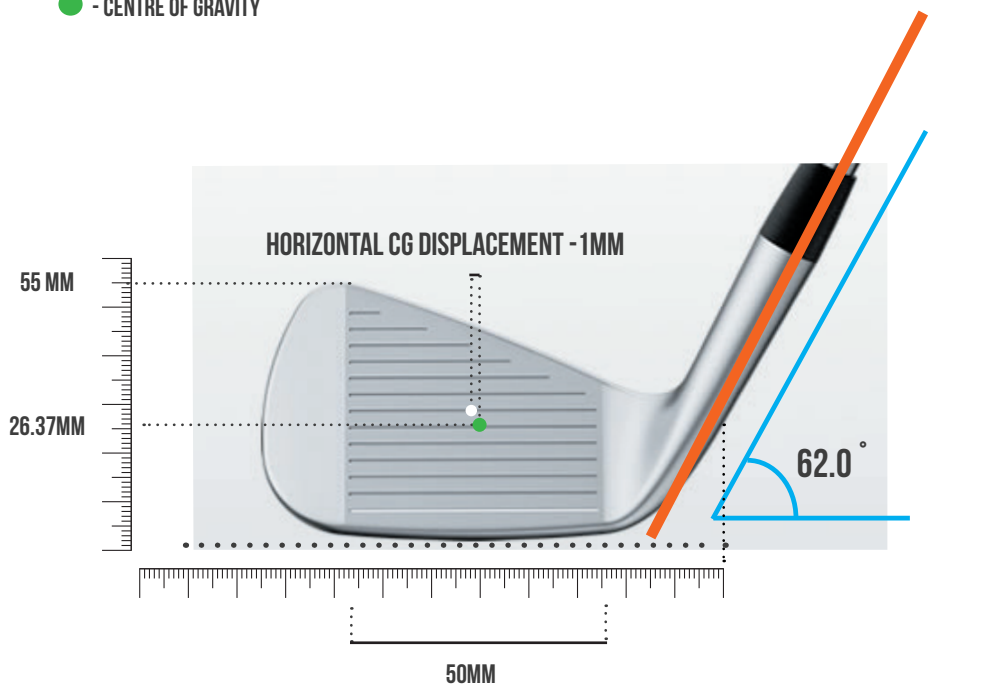


# PING®

## Blueprint

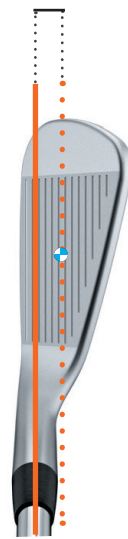
### CENTRE OF GRAVITY PROJECTION

- - CENTRE OF GRAVITY
- - GEOMETRIC CENTRE
- - CENTRE OF GRAVITY

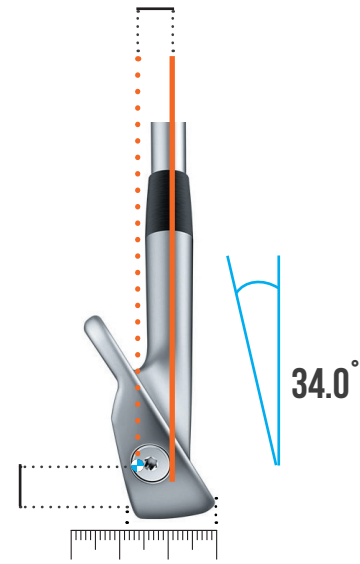


CG HEIGHT 15.58MM

CG DEPTH: 7.00 MM



CG DEPTH: 7.00 MM



SOLE WIDTH AT CENTRE FACE: 17.00MM

### CENTRE OF GRAVITY MEASUREMENTS

HEAD WEIGHT	263.4
CG HEIGHT	15.58MM
CG DEPTH	7.00MM

### CG FACE PROJECTION MEASUREMENTS

HORIZONTAL CG CENTRE OF GRAVITY FACE PROJECTION	-1MM
	26.37MM

### LIE, LOFT, FACE MEASUREMENTS

LIE ANGLE	62
LOFT ANGLE	34
FACE ANGLE	0

# MOI - 2035