

# CLUB SPECIFICATION DATABASE

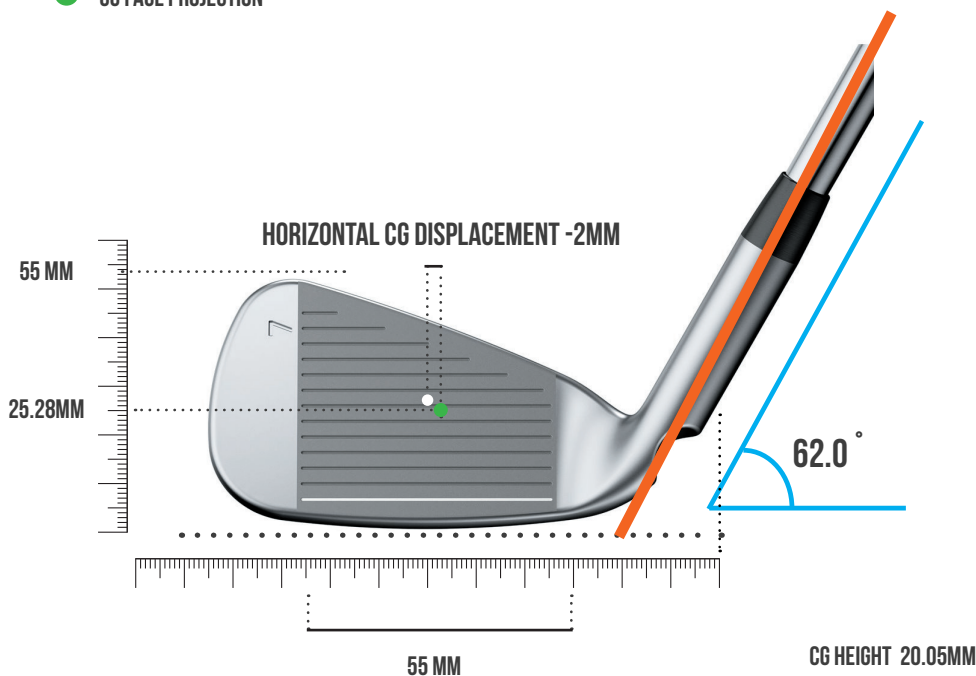


# PING

## G425

### CENTRE OF GRAVITY PROJECTION

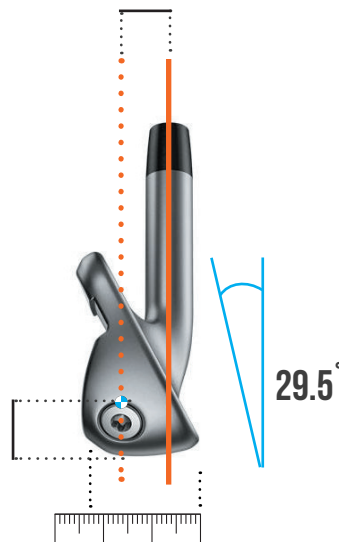
- - CENTRE OF GRAVITY
- - GEOMETRIC CENTRE
- - CG FACE PROJECTION



CG DEPTH: 9.60 MM



CG DEPTH: 9.60 MM



SOLE WIDTH AT CENTRE FACE: 24.00MM

### CENTRE OF GRAVITY MEASUREMENTS

HEAD WEIGHT	263.3 G
CG HEIGHT	20.05MM
CG DEPTH	9.60MM

### CG FACE PROJECTION MEASUREMENTS

HORIZONTAL CG CENTRE OF GRAVITY FACE PROJECTION	-2MM
	25.28MM

### LIE, LOFT, FACE MEASUREMENTS

LIE ANGLE	62
LOFT ANGLE	29.5
FACE ANGLE	0

# MOI - 3719