

CLUB SPECIFICATION DATABASE

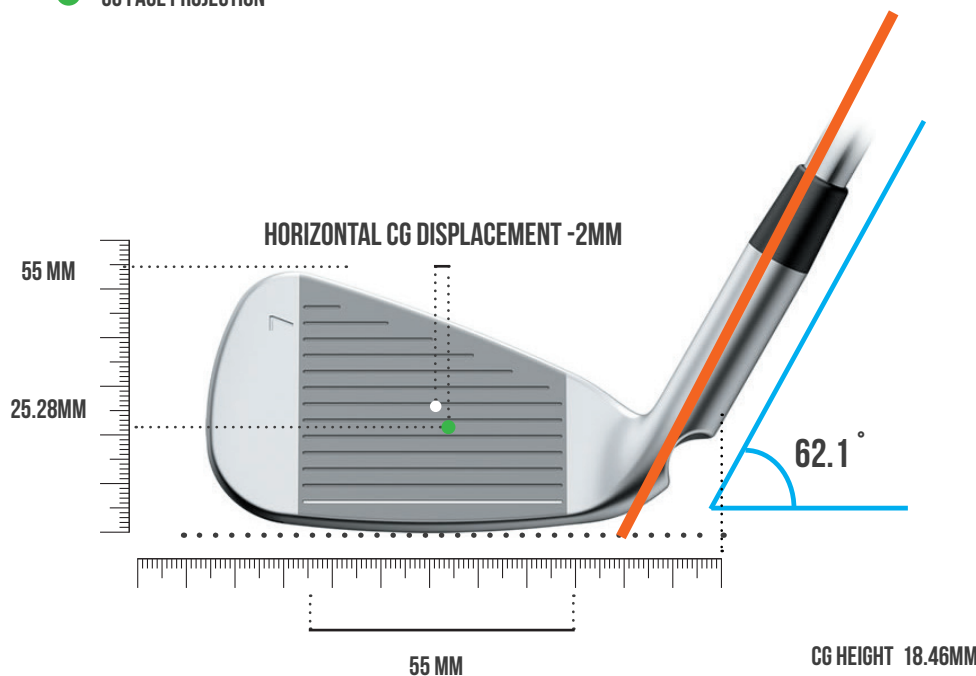


PING

G430

CENTRE OF GRAVITY PROJECTION

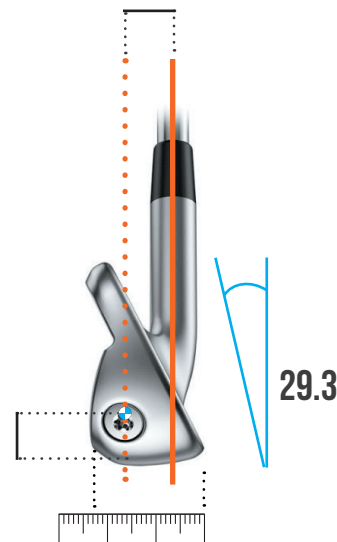
- - CENTRE OF GRAVITY
- - GEOMETRIC CENTRE
- - CG FACE PROJECTION



CG DEPTH: 11.30 MM



CG DEPTH: 11.30 MM



SOLE WIDTH AT CENTRE FACE: 24.00MM

CENTRE OF GRAVITY MEASUREMENTS

HEAD WEIGHT	264.3G
CG HEIGHT	18.46MM
CG DEPTH	11.30MM

CG FACE PROJECTION MEASUREMENTS

HEEL / TOE DISPLACEMENT	-3MM
VERTICAL CG	21.89MM

LIE, LOFT, FACE MEASUREMENTS

LIE ANGLE	62.1
LOFT ANGLE	29.3
FACE ANGLE	0

MOI - 3365