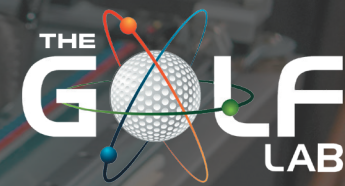


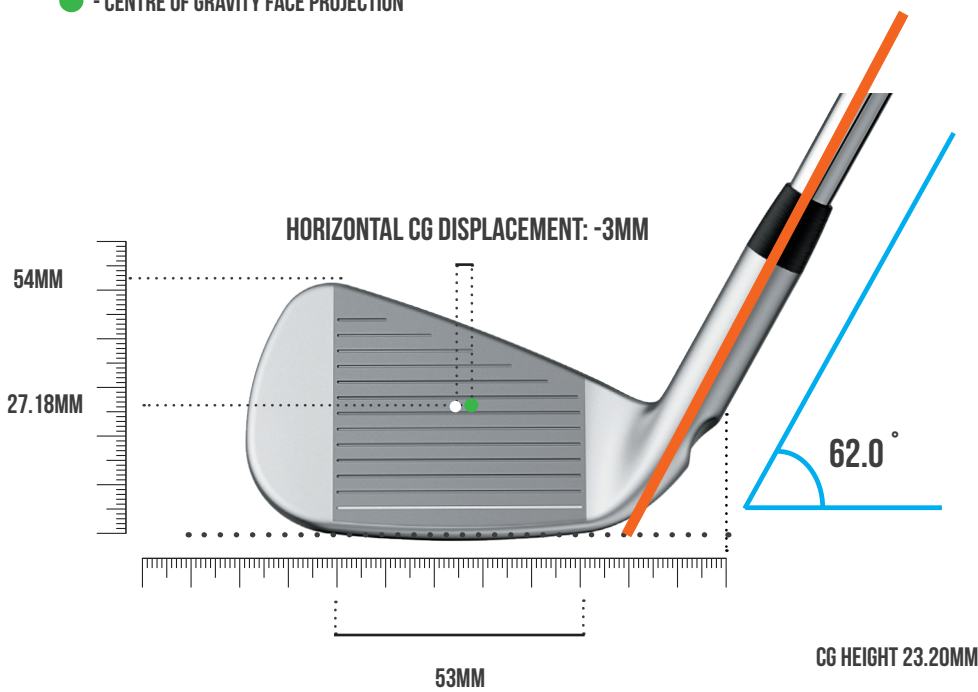
# CLUB SPECIFICATION DATABASE



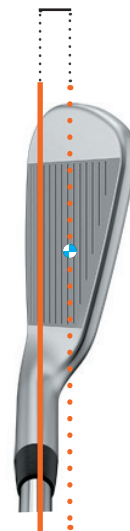
## PING® i210

### CENTRE OF GRAVITY PROJECTION

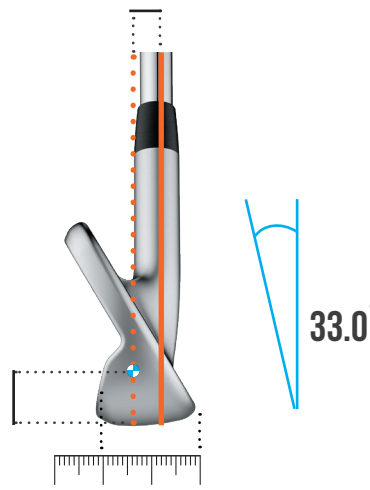
- - CENTRE OF GRAVITY
- - GEOMETRIC CENTRE
- - CENTRE OF GRAVITY FACE PROJECTION



CG DEPTH (Y): 8.40MM



CG DEPTH (Y): 8.40MM



SOLE WIDTH AT CENTRE FACE: 23.00MM

### CENTRE OF GRAVITY MEASUREMENTS

HEAD WEIGHT	263.6 G
CG HEIGHT	23.20MM
CG DEPTH	8.40MM

### CG FACE PROJECTION MEASUREMENTS

HORIZONTAL CG CENTRE OF GRAVITY FACE PROJECTION	-3MM
	27.18MM

### LIE, LOFT, FACE MEASUREMENTS

LIE ANGLE	62.0°
LOFT ANGLE	33.0°
FACE ANGLE	-0.6°

**MOI - 2647.5**