

CLUB SPECIFICATION DATABASE

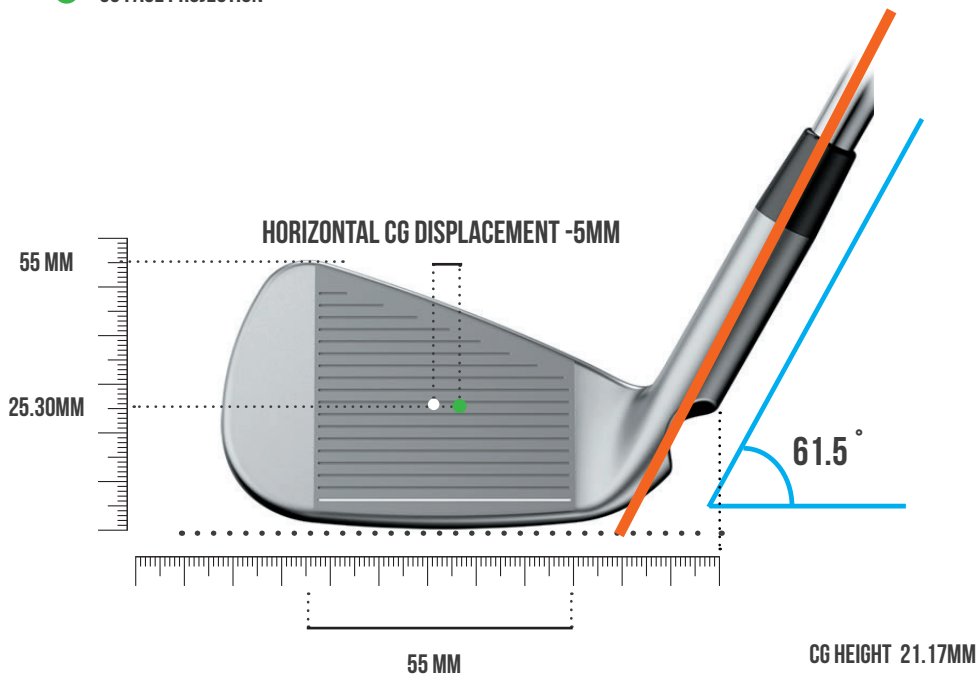


PING

i525

CENTRE OF GRAVITY PROJECTION

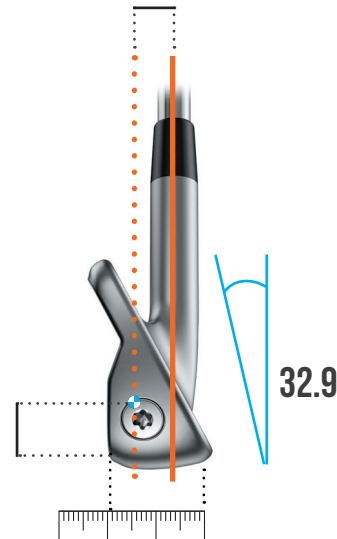
- - CENTRE OF GRAVITY
- - GEOMETRIC CENTRE
- - CG FACE PROJECTION



CG DEPTH: 9.00 MM



CG DEPTH: 9.00 MM



CENTRE OF GRAVITY MEASUREMENTS

HEAD WEIGHT	266.9G
CG HEIGHT	21.17MM
CG DEPTH	9.00MM

CG FACE PROJECTION MEASUREMENTS

HEEL / TOE DISPLACEMENT	-5MM
VERTICAL CG	25.30MM

LIE, LOFT, FACE MEASUREMENTS

LIE ANGLE	61.5
LOFT ANGLE	32.9
FACE ANGLE	0

MOI - 2998