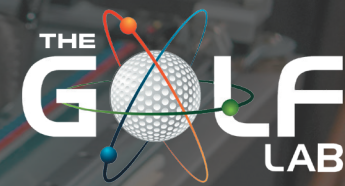


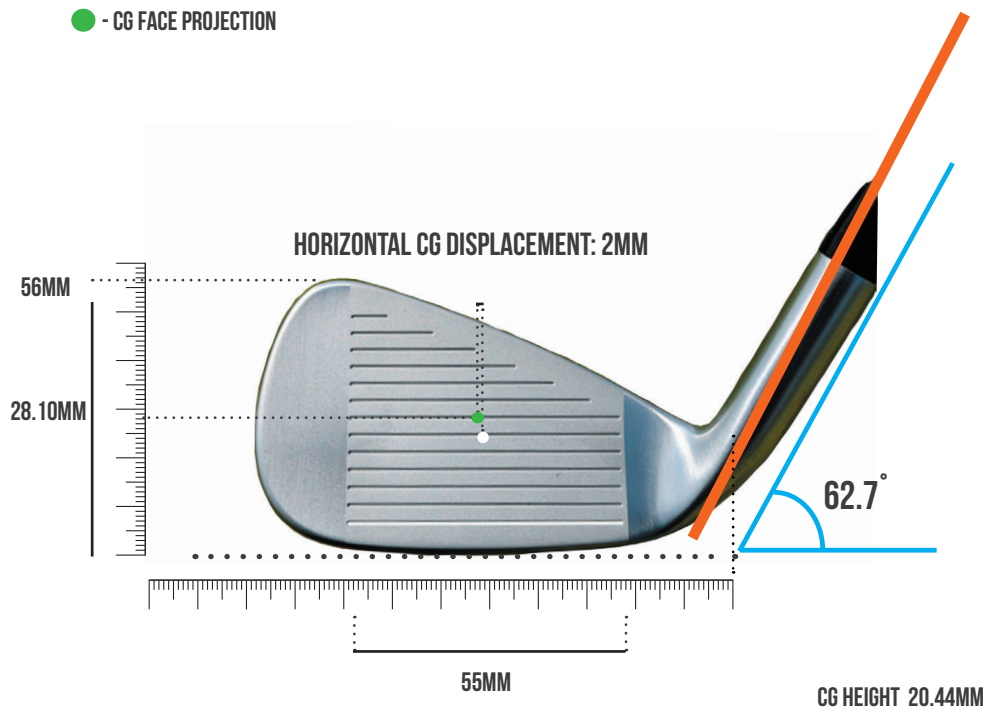
CLUB SPECIFICATION DATABASE



0211

CENTRE OF GRAVITY PROJECTION

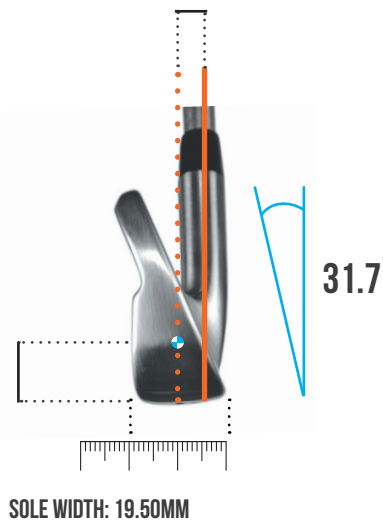
- - CENTRE OF GRAVITY
- - GEOMETRIC CENTRE
- - CG FACE PROJECTION



CG DEPTH: 7.90 MM



CG DEPTH (Y): 7.90 MM



CENTRE OF GRAVITY MEASUREMENTS

HEAD WEIGHT	253.3 G
CG HEIGHT	20.44MM
CG DEPTH	7.90MM

CG FACE PROJECTION MEASUREMENTS

HORIZONTAL CG	2.00MM
CENTRE OF GRAVITY FACE PROJECTION	28.10MM

LIE, LOFT, FACE MEASUREMENTS

LIE ANGLE	62.7°
LOFT ANGLE	31.7°
FACE ANGLE	0