

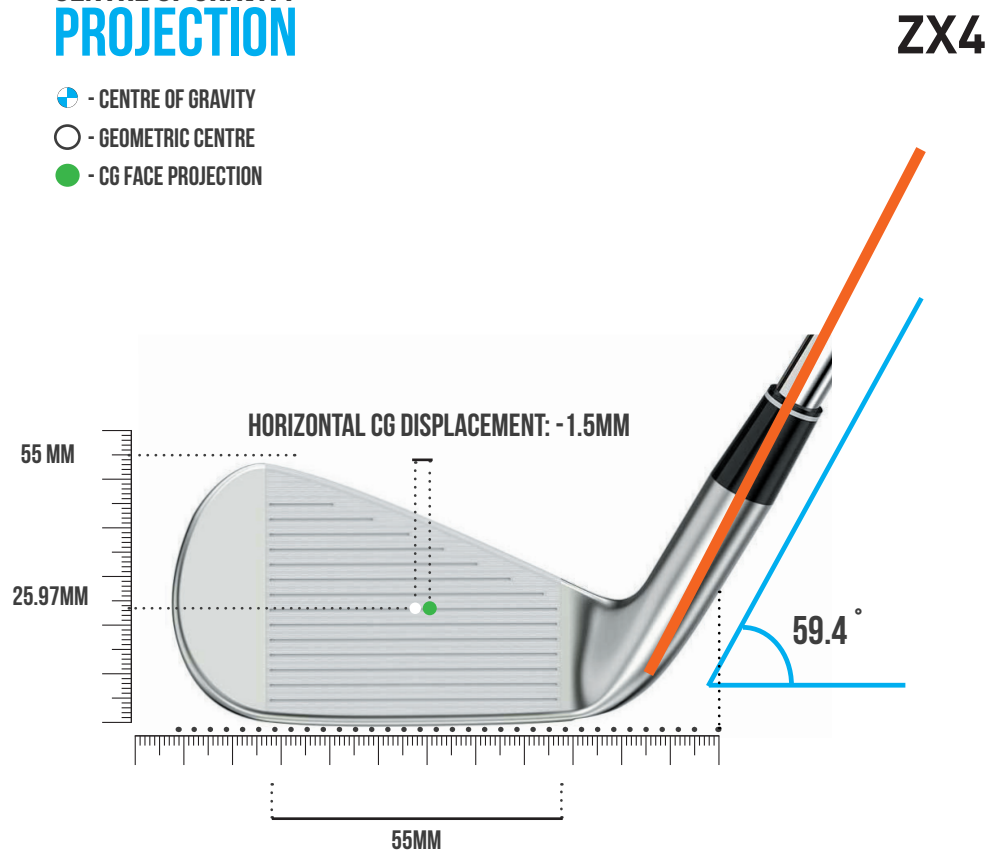
CLUB SPECIFICATION DATABASE



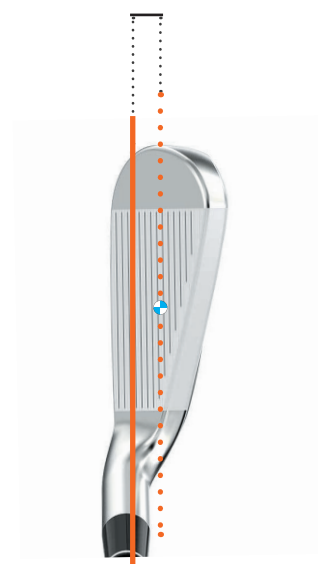
SRIXON®

CENTRE OF GRAVITY PROJECTION

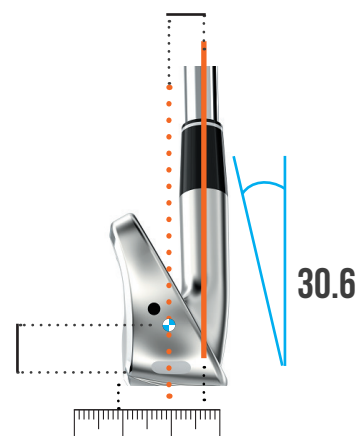
- - CENTRE OF GRAVITY
- - GEOMETRIC CENTRE
- - CG FACE PROJECTION



CG DEPTH: 7.2MM



CG DEPTH (Y): 7.20 MM



CENTRE OF GRAVITY MEASUREMENTS

HEAD WEIGHT	260.3G
CG HEIGHT	16.59MM
CG DEPTH	7.20MM

CG FACE PROJECTION MEASUREMENTS

HORIZONTAL CG CENTRE OF GRAVITY FACE PROJECTION	-1.5MM
	23.81MM

LIE, LOFT, FACE MEASUREMENTS

LIE ANGLE	59.4°
LOFT ANGLE	30.6°
FACE ANGLE	0

MOI - 2317