

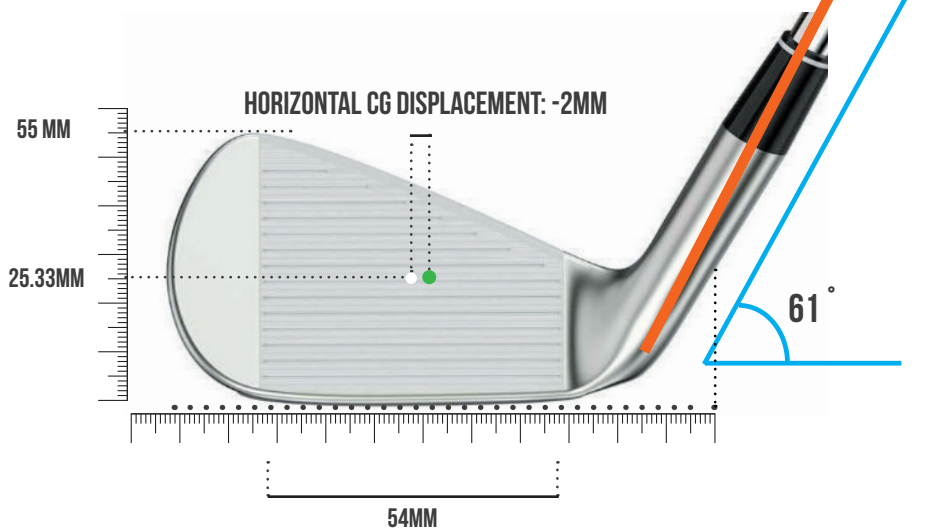
CLUB SPECIFICATION DATABASE



SRIXON®

CENTRE OF GRAVITY PROJECTION

- - CENTRE OF GRAVITY
- - GEOMETRIC CENTRE
- - CG FACE PROJECTION



ZX7

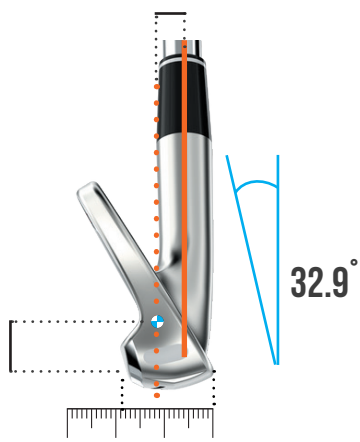
CG HEIGHT 17.63 MM

SOLE WIDTH AT CENTRE FACE: 20.50MM

CG DEPTH: 6.90MM



CG DEPTH (Y): 6.90 MM



CENTRE OF GRAVITY MEASUREMENTS

HEAD WEIGHT	260.2G
CG HEIGHT	17.63MM
CG DEPTH	6.90MM

CG FACE PROJECTION MEASUREMENTS

HORIZONTAL CG CENTRE OF GRAVITY FACE PROJECTION	-2MM
	25.33MM

LIE, LOFT, FACE MEASUREMENTS

LIE ANGLE	61°
LOFT ANGLE	32.9°
FACE ANGLE	0

MOI - 2182