

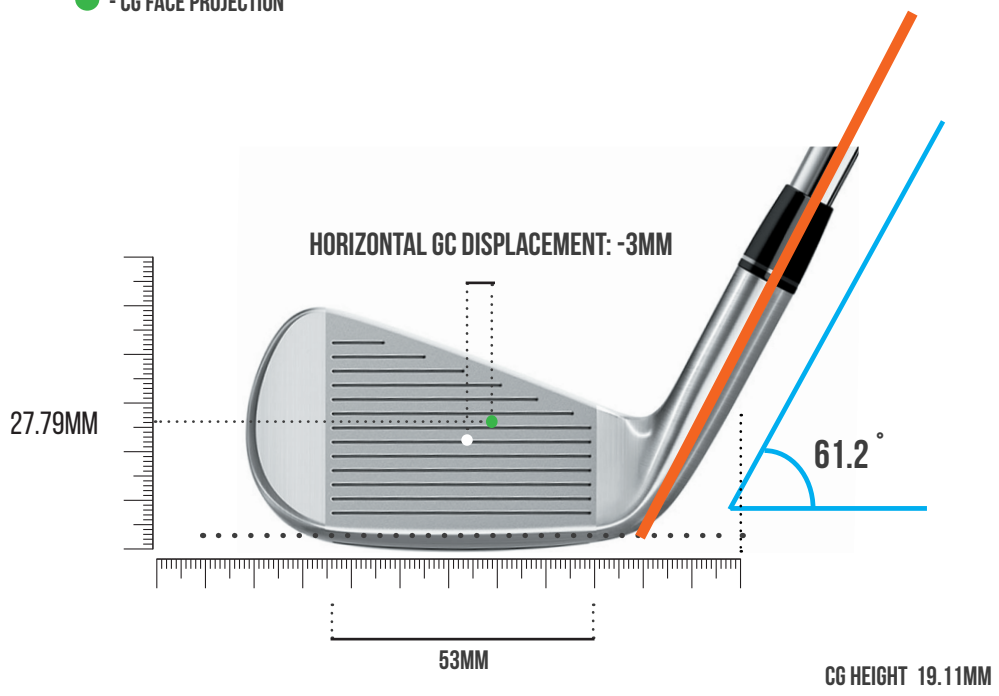
CLUB SPECIFICATION DATABASE



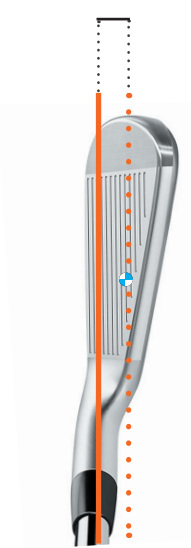
TaylorMade® 2023 P790

CENTRE OF GRAVITY PROJECTION

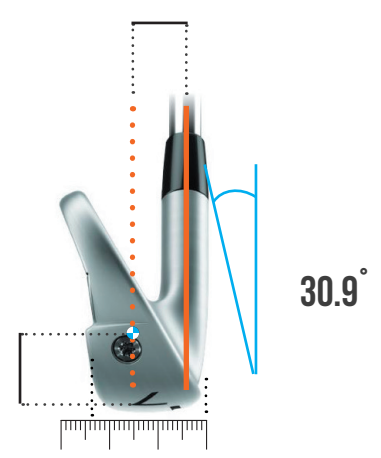
- - CENTRE OF GRAVITY
- - GEOMETRIC CENTRE
- - CG FACE PROJECTION



CG DEPTH: 9.50 MM



CG DEPTH (Y): 9.50MM



SOLE WIDTH AT CENTRE FACE: 23.0MM

CENTRE OF GRAVITY MEASUREMENTS

HEAD WEIGHT	261.0G
CG HEIGHT	19.11MM
CG DEPTH	9.50MM

CG FACE PROJECTION MEASUREMENTS

HORIZONTAL CG CENTRE OF GRAVITY FACE PROJECTION	-3MM
	27.79MM

LIE AND LOFT MEASUREMENTS

LIE ANGLE	61.2°
LOFT ANGLE	30.9°

MOI - 2223