

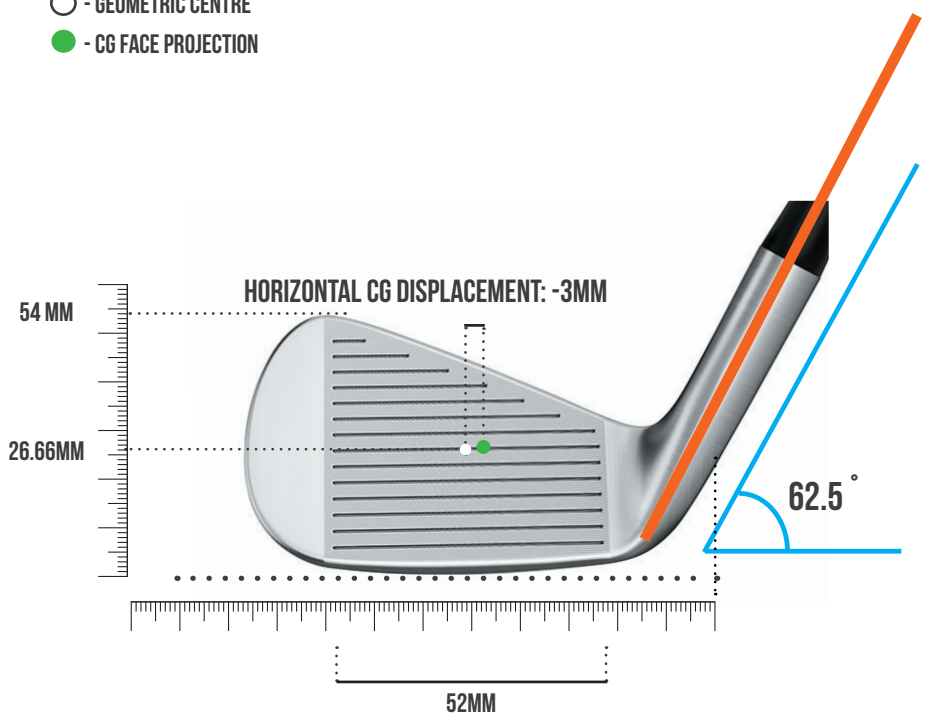
CLUB SPECIFICATION DATABASE



P-7MB

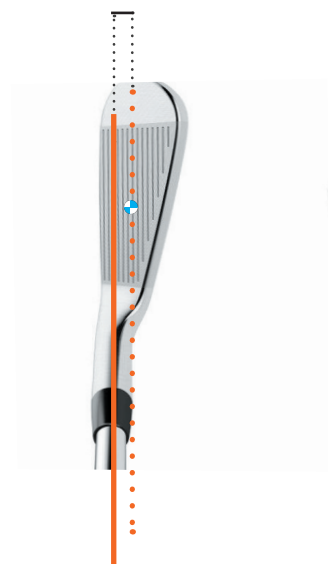
CENTRE OF GRAVITY PROJECTION

- - CENTRE OF GRAVITY
- - GEOMETRIC CENTRE
- - CG FACE PROJECTION

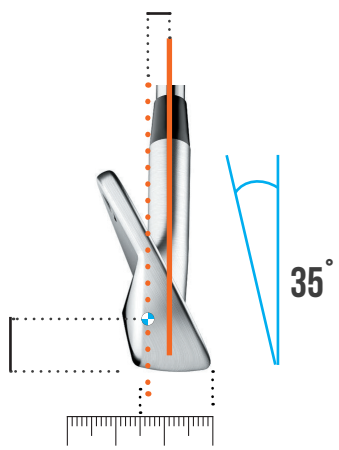


CG HEIGHT 17.84 MM

CG DEPTH: 5.60MM



CG DEPTH (Y): 5.60 MM



SOLE WIDTH AT CENTRE FACE: 15.00MM

CENTRE OF GRAVITY MEASUREMENTS

HEAD WEIGHT	259.6G
CG HEIGHT	17.84MM
CG DEPTH	5.60MM

CG FACE PROJECTION MEASUREMENTS

HORIZONTAL CG CENTRE OF GRAVITY FACE PROJECTION	-3MM
	26.66MM

LIE, LOFT, FACE MEASUREMENTS

LIE ANGLE	62.5°
LOFT ANGLE	35°
FACE ANGLE	0

MOI - 2010.9