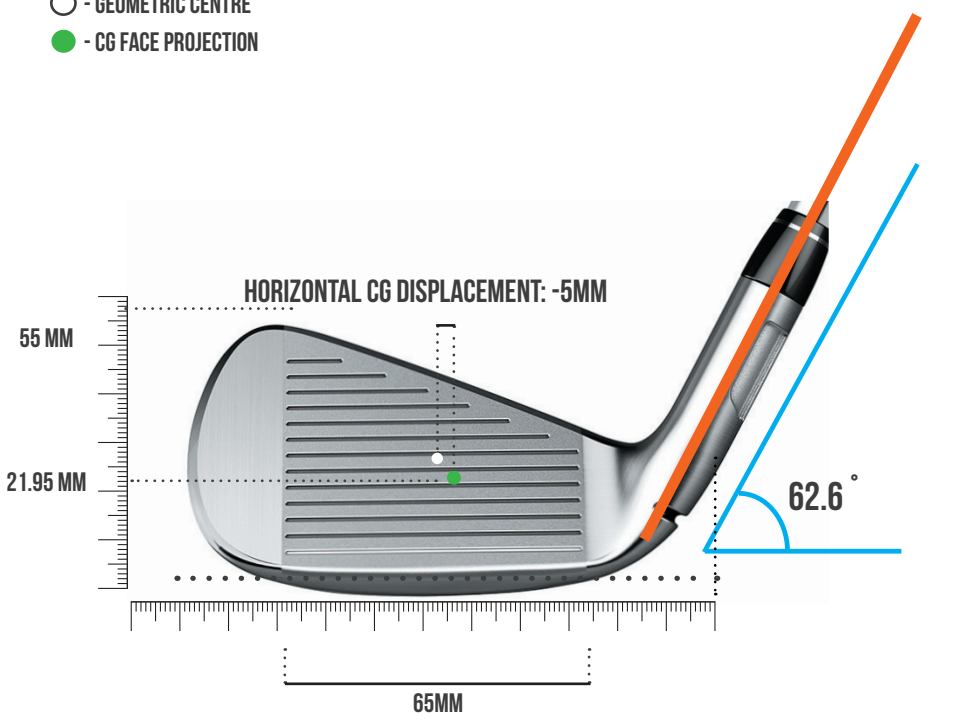


CLUB SPECIFICATION DATABASE



CENTRE OF GRAVITY PROJECTION

- - CENTRE OF GRAVITY
- - GEOMETRIC CENTRE
- - CG FACE PROJECTION



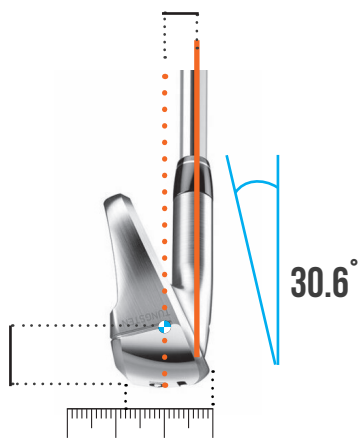
CG HEIGHT 16.61 MM

SOLE WIDTH AT CENTRE FACE: 25.0MM

CG DEPTH: 8.90 MM



CG DEPTH (V): 8.90 MM



CENTRE OF GRAVITY MEASUREMENTS

HEAD WEIGHT	260.7 G
CG HEIGHT	16.61 MM
CG DEPTH	8.90 MM

CG FACE PROJECTION MEASUREMENTS

HORIZONTAL CG	-5 MM
CENTRE OF GRAVITY FACE PROJECTION	21.25 MM

LIE AND LOFT MEASUREMENTS

LIE ANGLE	62.6°
LOFT ANGLE	30.6°

MOI - 2399.3