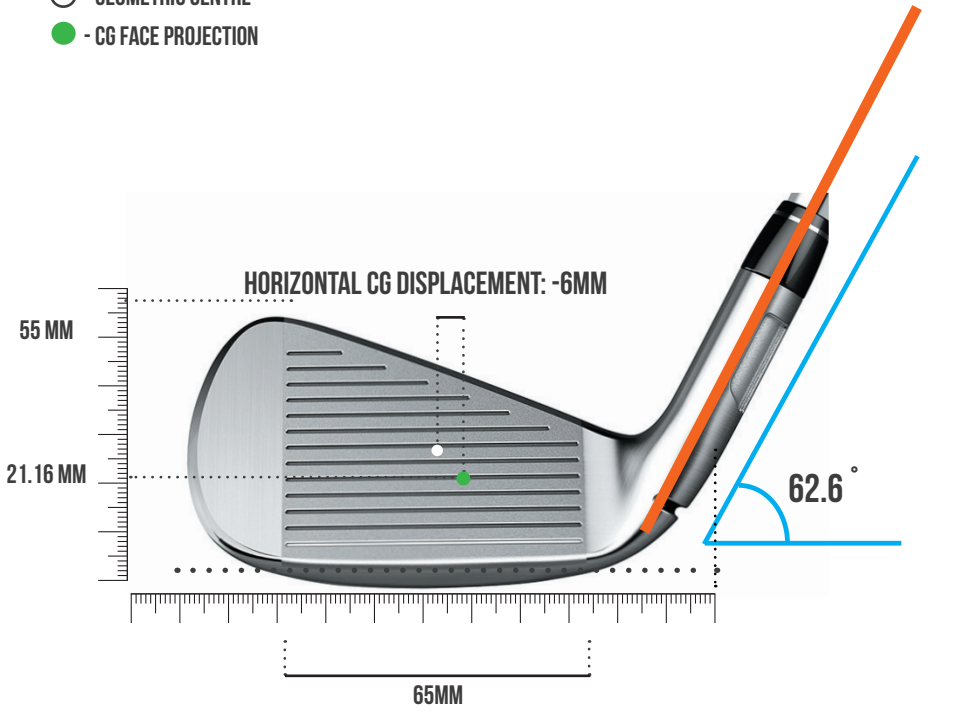


CLUB SPECIFICATION DATABASE

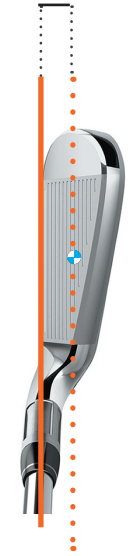


CENTRE OF GRAVITY PROJECTION

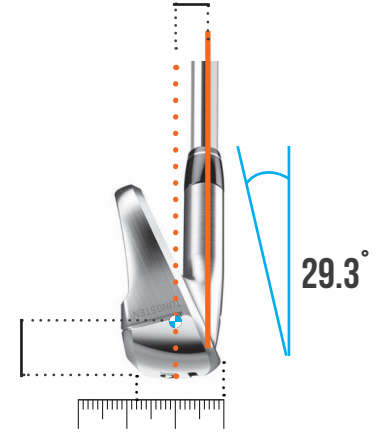
- - CENTRE OF GRAVITY
- - GEOMETRIC CENTRE
- - CG FACE PROJECTION



CG DEPTH: 11.50 MM



CG DEPTH (Y): 11.50 MM



SOLE WIDTH AT CENTRE FACE: 25.0MM

CENTRE OF GRAVITY MEASUREMENTS

HEAD WEIGHT	264.5 G
CG HEIGHT	16.49 MM
CG DEPTH	11.50 MM

CG FACE PROJECTION MEASUREMENTS

HORIZONTAL CG CENTRE OF GRAVITY FACE PROJECTION	-5 MM
	21.25 MM

LIE AND LOFT MEASUREMENTS

LIE ANGLE	62.6°
LOFT ANGLE	29.3°

MOI - 2507.7