

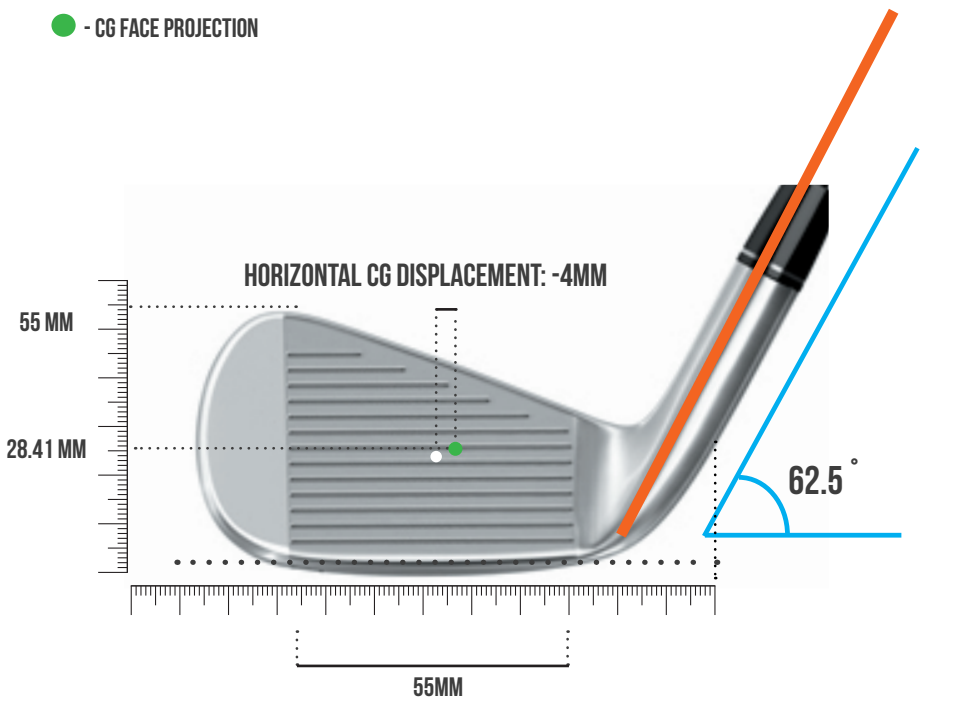
# CLUB SPECIFICATION DATABASE



## TaylorMade® P770

### CENTRE OF GRAVITY PROJECTION

- - CENTRE OF GRAVITY
- - GEOMETRIC CENTRE
- - CG FACE PROJECTION



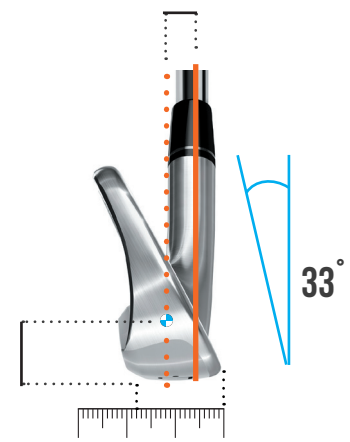
CG HEIGHT 21.91 MM

SOLE WIDTH AT CENTRE FACE: 25.0MM

CG DEPTH: 7.30 MM



CG DEPTH (V): 7.30 MM



### CENTRE OF GRAVITY MEASUREMENTS

HEAD WEIGHT	271.6 G
CG HEIGHT	21.91 MM
CG DEPTH	7.30 MM

### CG FACE PROJECTION MEASUREMENTS

HORIZONTAL CG	-4MM
CENTRE OF GRAVITY FACE PROJECTION	28.41 MM

### LIE AND LOFT MEASUREMENTS

LIE ANGLE	62.5°
LOFT ANGLE	33°

# MOI - 2466.7