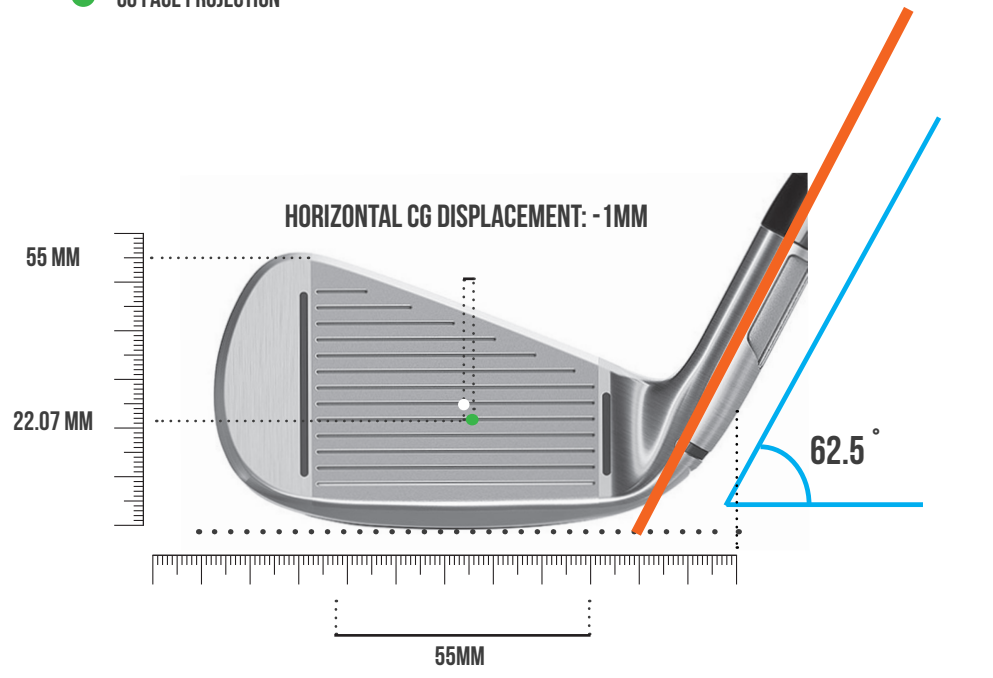


CLUB SPECIFICATION DATABASE



CENTRE OF GRAVITY PROJECTION

- - CENTRE OF GRAVITY
- - GEOMETRIC CENTRE
- - CG FACE PROJECTION

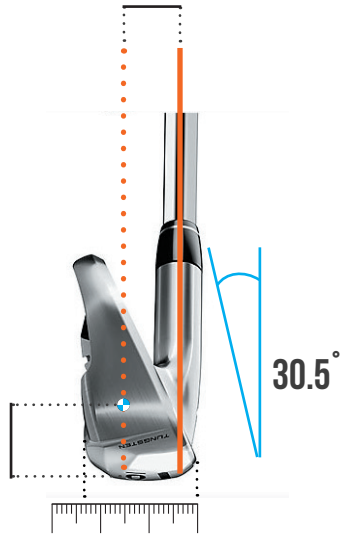


CG HEIGHT 21.76MM

CG DEPTH: 9.00 MM



CG DEPTH (Y): 9.00MM



SOLE WIDTH AT CENTRE FACE: 24.0MM

CENTRE OF GRAVITY MEASUREMENTS

HEAD WEIGHT	262.8 G
CG HEIGHT	21.76MM
CG DEPTH	9MM

CG FACE PROJECTION MEASUREMENTS

HORIZONTAL CG	-1MM
CENTRE OF GRAVITY FACE PROJECTION	22.07MM

LIE AND LOFT MEASUREMENTS

LIE ANGLE	62.5°
LOFT ANGLE	30.5°

MOI - 2470.6