

# CLUB SPECIFICATION DATABASE

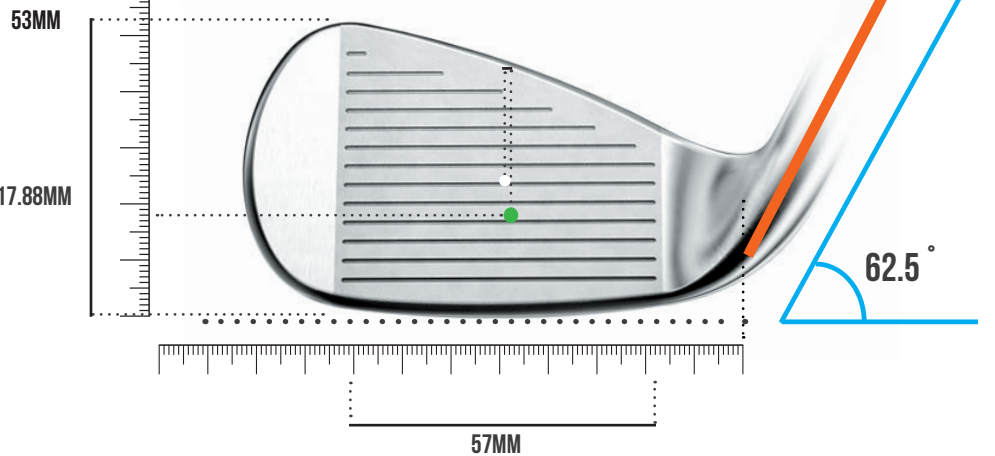


## Titleist® T400

### CENTRE OF GRAVITY PROJECTION

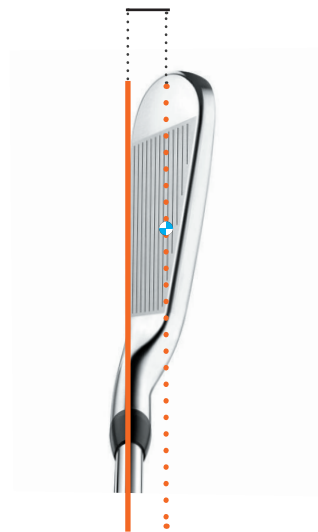
- CENTRE OF GRAVITY
- GEOMETRIC CENTRE
- CG FACE PROJECTION

HORIZONTAL CG DISPLACEMENT: -1MM

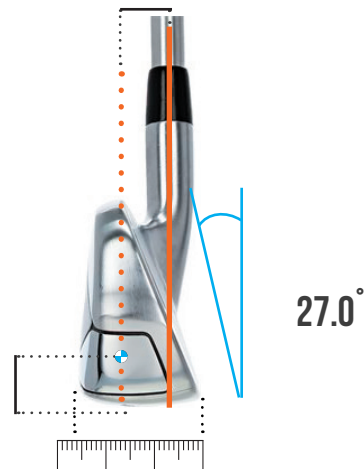


CG HEIGHT 14.96MM

CG DEPTH: 11.70 MM



CG DEPTH (Y): 11.70MM



SOLE WIDTH: 26MM

### CENTRE OF GRAVITY MEASUREMENTS

HEAD WEIGHT	268 G
CG HEIGHT	14.96MM
CG DEPTH	11.70MM

### CG FACE PROJECTION MEASUREMENTS

HORIZONTAL CG CENTRE OF GRAVITY FACE PROJECTION	-1MM
	17.88MM

### LIE, LOFT, FACE MEASUREMENTS

LIE ANGLE	62.5
LOFT ANGLE	27
FACE ANGLE	0

# MOI - 2853